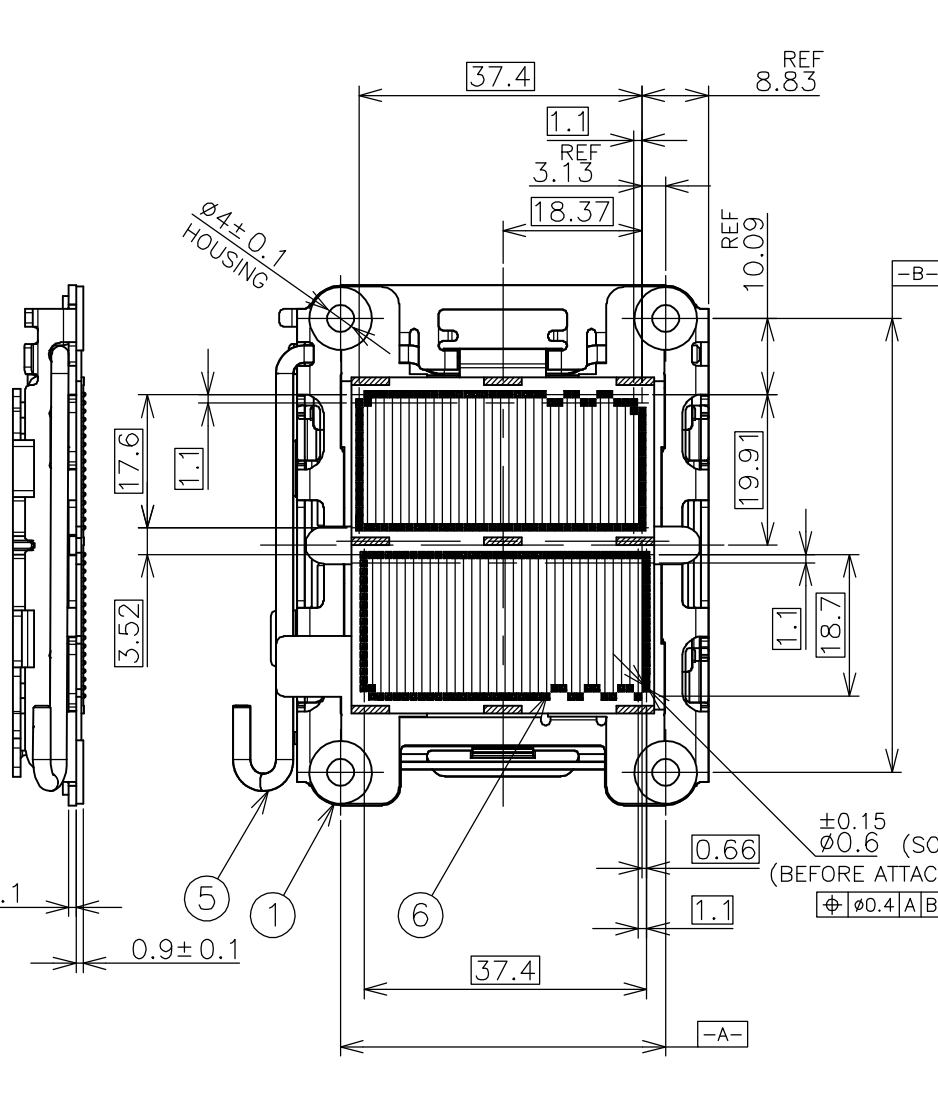
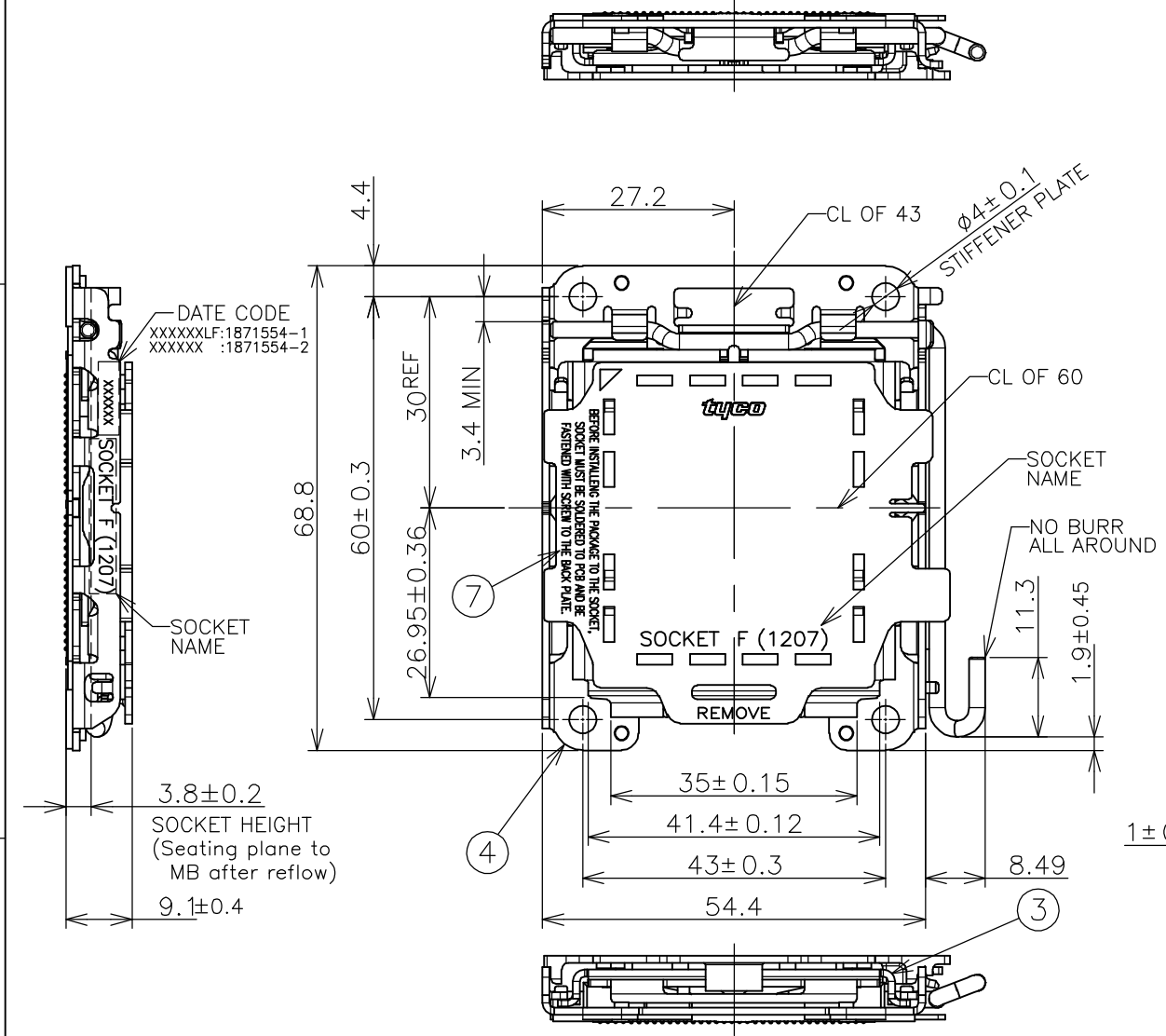
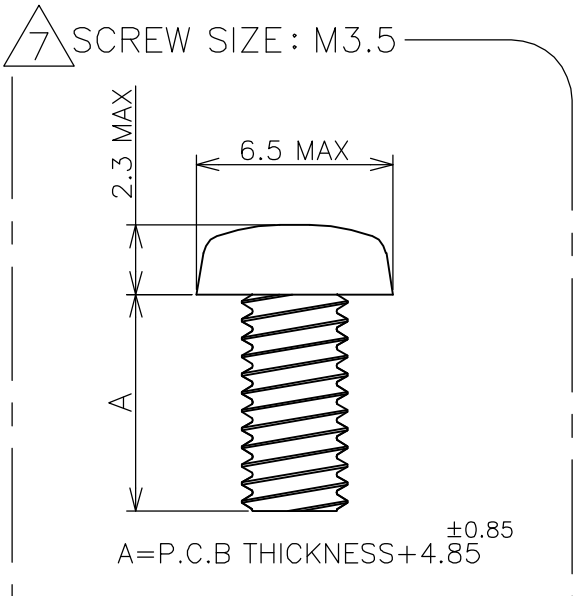
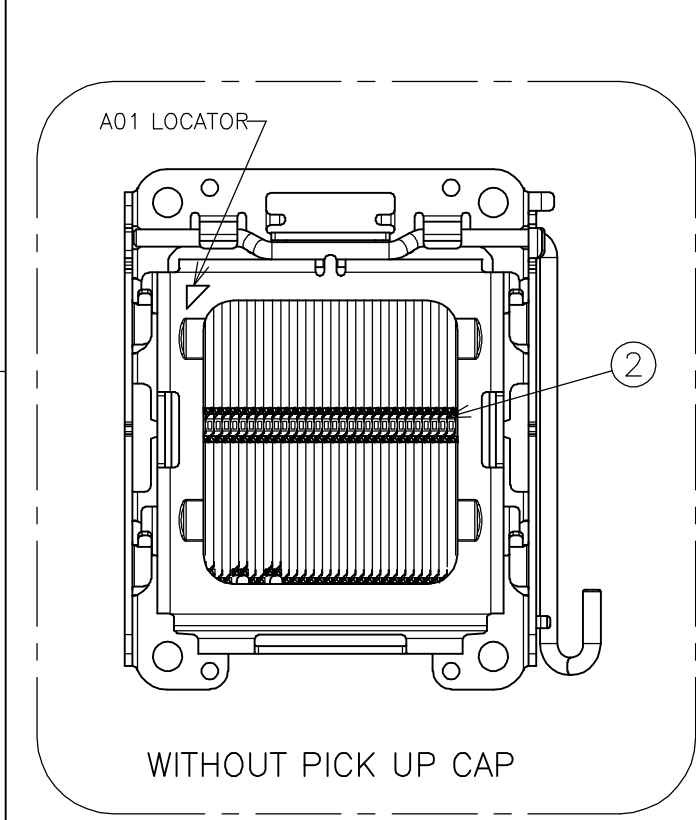


|     |      |                 |           |                         |
|-----|------|-----------------|-----------|-------------------------|
| LOC | DIST | REVISIONS<br>変更 |           |                         |
| J   |      | P               | LTR       | DESCRIPTION             |
|     |      | B               |           | REVISED (ECR-06-020892) |
|     |      |                 | DATE      | DWN                     |
|     |      |                 | 30AUG2006 | M.I                     |
|     |      |                 |           | APVD                    |
|     |      |                 |           | H.S                     |



- 1 MATERIAL
  - HSG: THERMO-PLASTIC
  - CONTACT: COPPER ALLOY
  - UPPER PLATE: STAINLESS STEEL
  - STIFFENER PLATE: STAINLESS STEEL
  - LEVER: STAINLESS STEEL
  - SOLDER BALL: Sn/Ag/Cu OR Sn/Ag FOR LEAD FREE  
Sn/Pb FOR LEADED
- 2 FINISH
  - CONTACT: GOLD PLATE AT CONTACT AREA  
ON OVERALL Ni UNDER PLATE.
- 3 THE SCREW FOR FIXATION OF BACK PLATE: M3.5
- 4 RECOMMENDED TIGHTENING TORQUE:  
0.35~0.45Nm (3.5~4.5kgf·cm)
- 5 PLEASE REFER TO THE INSTRUCTION SHEET FOR  
THE HANDLING OF THIS SOCKET.
- 6 PLEASE USE THIS SOCKET TOGETHER WITH BACK PLATE.  
BACK PLATE P/N: 1827213-1
- 7 SIZE OF SCREW FOR FIXATION OF BACK PLATE .
- 8 PLEASE INSERT CPU AFTER FIXATION OF BACK PLATE  
WITH THE SCREW.
- 9 PLEASE INSERT CPU AFTER REMOVING PICK UP CAP.



| RECOMMEND SCREW LENGTH |              |
|------------------------|--------------|
| P.C.B THICKNESS        | SCREW LENGTH |
| 1.6mm                  | 6±0.3mm      |
| 2.4mm                  | 7±0.3mm      |

|                      |                  |           |
|----------------------|------------------|-----------|
| HARD TRAY (8EA/TRAY) | LEADED           | 1871554-2 |
| HARD TRAY (8EA/TRAY) | LEAD FREE        | 1871554-1 |
| PACKING TYPE         | SOLDER BALL TYPE | PART NO.  |

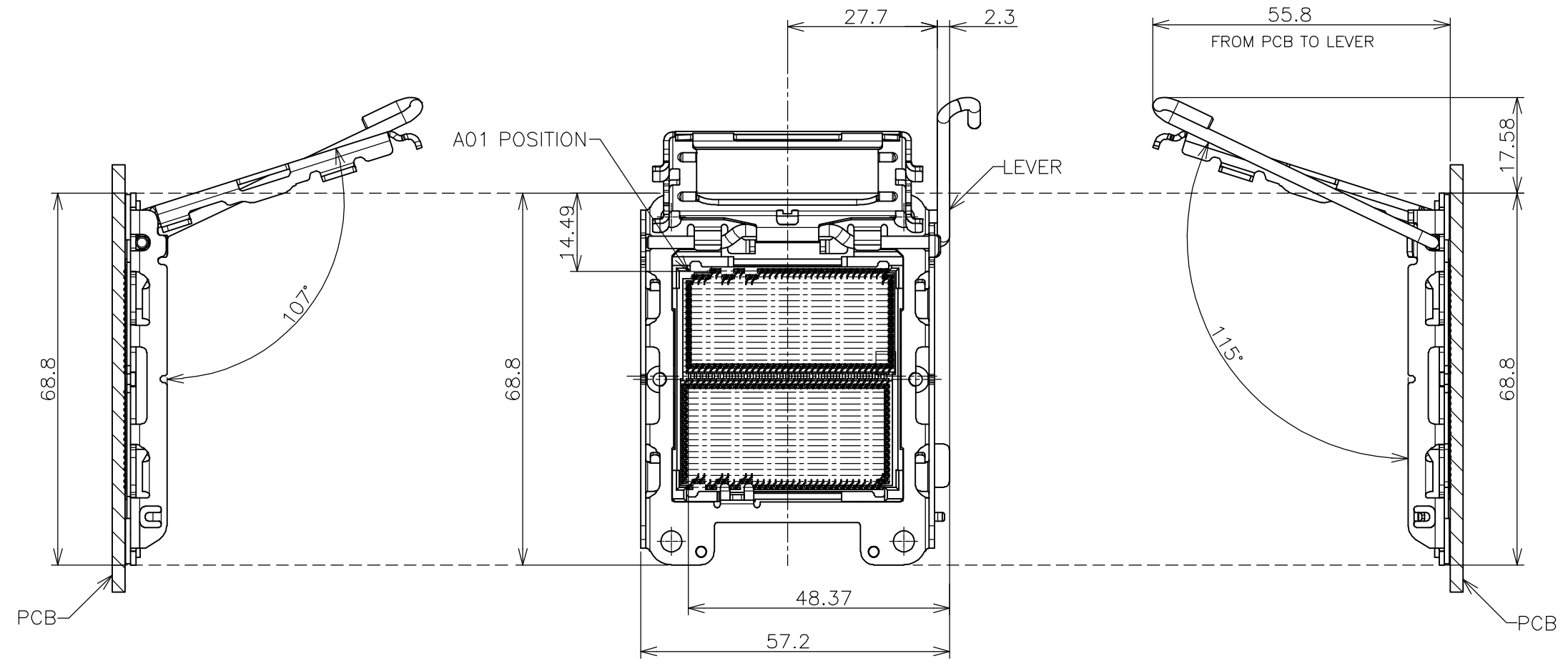
|                 |          |
|-----------------|----------|
| PICK UP CAP     | (7)      |
| SOLDER BALL     | (6)      |
| LEVER           | (5)      |
| STIFFENER PLATE | (4)      |
| UPPER PLATE     | (3)      |
| CONTACT         | (2)      |
| HOUSING         | (1)      |
| NAME            | ITEM NO. |

THIS DRAWING IS A CONTROLLED DOCUMENT.

|                            |   |  |  |
|----------------------------|---|--|--|
| DIMENSIONS:<br>単位: 耗<br>mm | TOLERANCES UNLESS<br>OTHERWISE SPECIFIED:<br>一般公差 | DWN<br>S.TODA<br>08JUN05               | <p>Tyco Electronics AMP K.K.<br/>Kawasaki, Japan</p> |
|                            | 0 PLC ±   | CHK<br>M.INOUE<br>08JUN05              |  |
|                            | 1 PLC ± ±0.3                                      | APVD<br>Y.YAMAMOTO<br>08JUN05          |  |
|                            | 2 PLC ± ±3'                                       | PRODUCT SPEC<br>製品規格<br>108-78375      |  |
| MATERIAL<br>材料             | FINISH<br>仕上                                      | APPLICATION SPEC<br>取付適用規格<br>114-5383 | NAME<br>名称   |
| 1                          | 2   | WEIGHT                                 | SIZE<br>A3   |
| CUSTOMER DRAWING           |   |  | CAGE CODE<br>00779                                   |
| SCALE<br>尺度 1:1            |   |  | DRAWING NO<br>番号<br>C-1871554                        |
| SHEET<br>1 OF 4            |   |  | RESTRICTED TO  |
| REV<br>B                   |   |  |  |

THIS DRAWING IS UNPUBLISHED. RELEASED FOR PUBLICATION  
 © COPYRIGHT BY TYCO ELECTRONICS CORPORATION. ALL RIGHTS RESERVED.

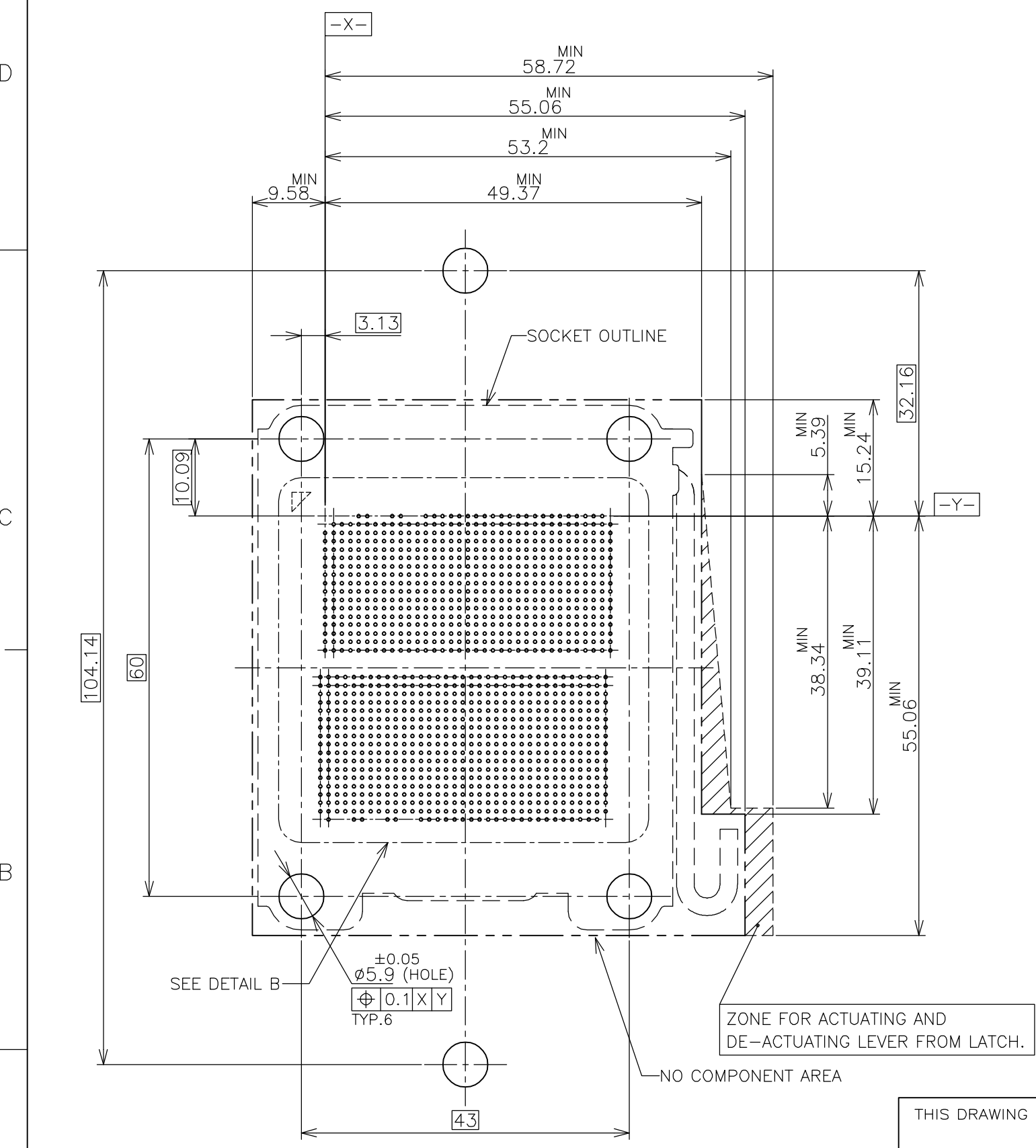
| LOC | DIST | REVISIONS |     |             |      |     |      |
|-----|------|-----------|-----|-------------|------|-----|------|
| J   | /    | P         | LTR | DESCRIPTION | DATE | DWN | APVD |
|     |      | -         |     | SEE SHEET 1 | -    | -   | -    |



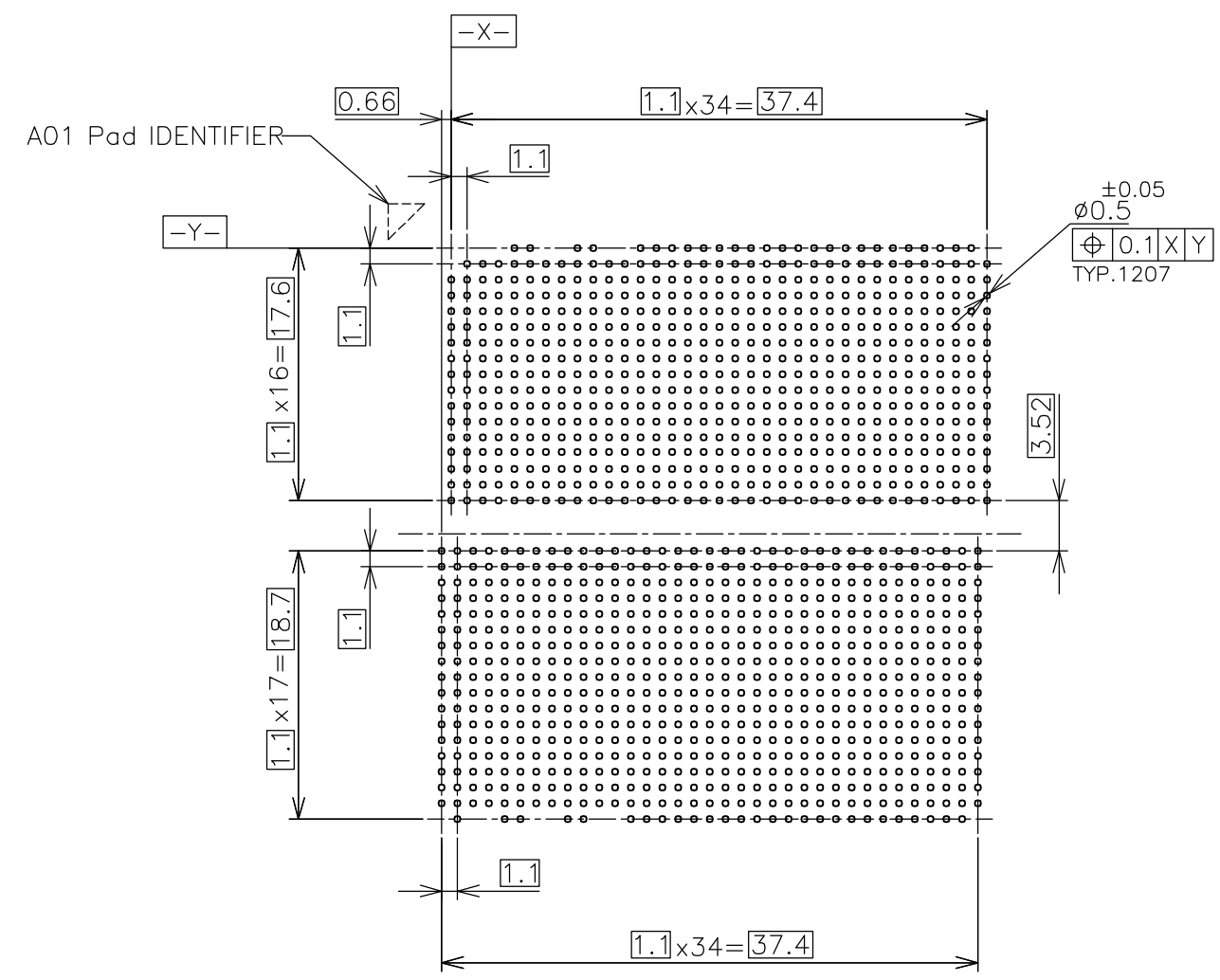
ALL DIMENSIONS OF THIS SHEET ARE REFERENCE DIMENSIONS.

|   |  |                         |  |  |                 |
|---|--|-------------------------|--|--|-----------------|
| THIS DRAWING IS A CONTROLLED DOCUMENT.                          |  | DWN                     |  | Tyco Electronics AMP K.K.<br>Kawasaki, Japan |                 |
| DIMENSIONS: 単位: 耗 mm  |  | CHK                     |  | NAME 名称                                      |                 |
| TOLERANCES UNLESS OTHERWISE SPECIFIED: 一般公差                     |  | APVD                    |  | PRODUCT SPEC 製品規格                            |                 |
| 0 PLC ±<br>1 PLC ±<br>2 PLC ±<br>3 PLC ±<br>4 PLC ±<br>ANGLES ± |  | APPLICATION SPEC 取付適用規格 |  | SOCKET F (1207)<br>0 DEGREE RIGHT LEVER TYPE |                 |
| MATERIAL 材料   |  | WEIGHT                  |  | SIZE A3                                      | CAGE CODE 00779 |
| FINISH 仕上   |  | CUSTOMER DRAWING        |  | DRAWING NO 番号 C-1871554                      | RESTRICTED TO - |
|   |  |                         |  | SCALE 尺度 2:1                                 | SHEET 2 OF 4    |
|   |  |                         |  | REV B  |                 |

| LOC | DIST | REVISIONS |     |             |      |     |      |
|-----|------|-----------|-----|-------------|------|-----|------|
| J   | /    | P         | LTR | DESCRIPTION | DATE | DWN | APVD |
|     |      | -         |     | SEE SHEET 1 | -    | -   | -    |



PCB REFERENCE LAYOUT



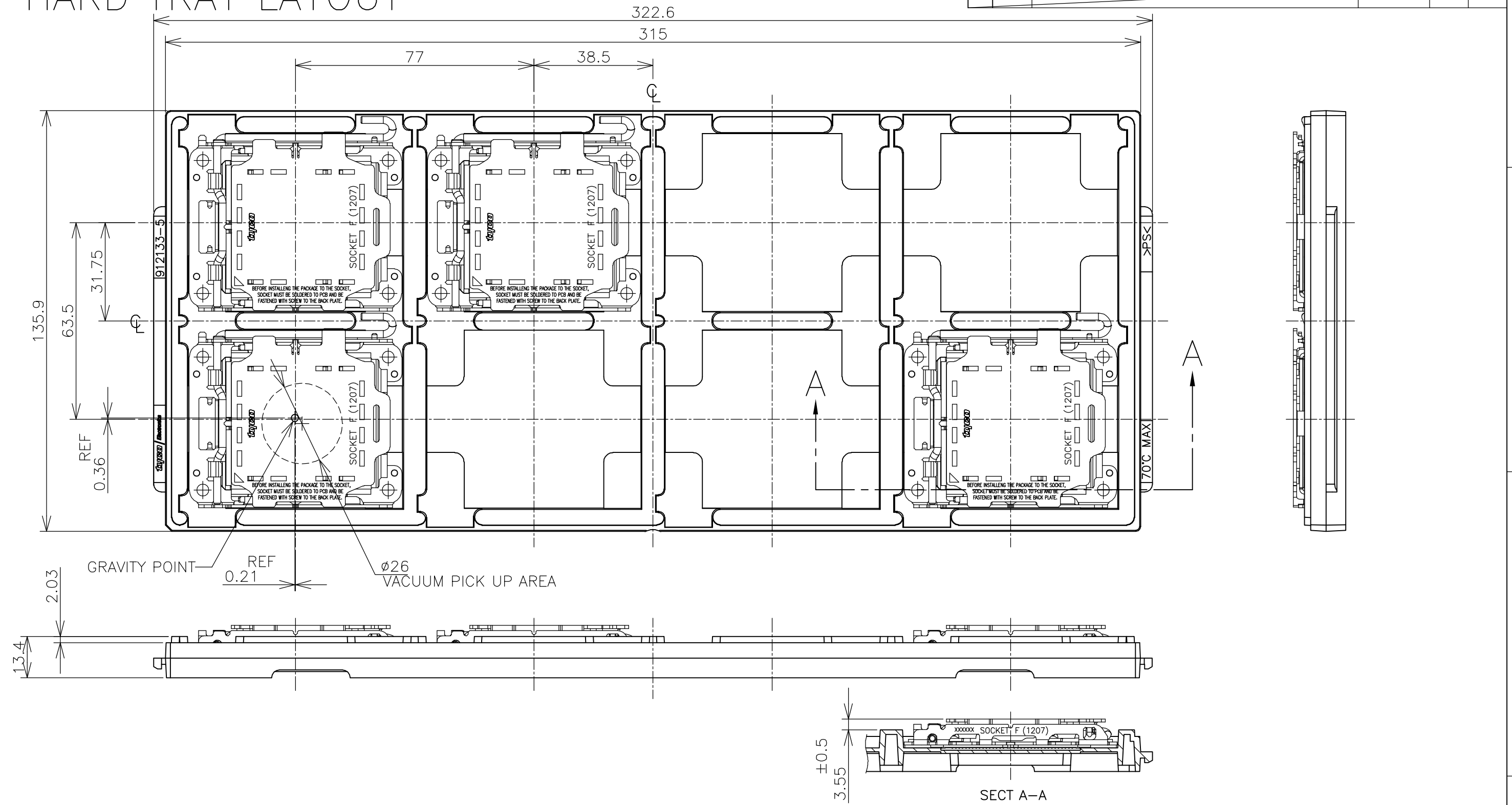
DETAIL B

|  |  |                   |  |                 |
|--|--|-------------------|--|-----------------|
| THIS DRAWING IS A CONTROLLED DOCUMENT.                                 |  | DWN               | <b>tyco</b> Tyco Electronics AMP K.K.        |                 |
| DIMENSIONS: 單位: 耗 mm   |  | CHK               | Kawasaki, Japan                              |                 |
| TOLERANCES UNLESS OTHERWISE SPECIFIED: 一般公差                            |  | APVD              | NAME 名称                                      |                 |
| 0 PLC ±<br>1 PLC ± 0.3<br>2 PLC ± 3'<br>3 PLC ±<br>4 PLC ±<br>ANGLES ± |  | PRODUCT SPEC 製品規格 | SOCKET F (1207)<br>0 DEGREE RIGHT LEVER TYPE |                 |
| MATERIAL 材料  |  | FINISH 仕上         | APPLICATION SPEC 取付適用規格                      | RESTRICTED TO   |
|  |  | WEIGHT            | SIZE A3                                      | CAGE CODE 00779 |
|  |  | CUSTOMER DRAWING  | DRAWING NO 番号 C-1871554                      | SCALE 尺度 2:1    |
|  |  |                   | SHEET 3 OF 4                                 | REV B           |

THIS DRAWING IS UNPUBLISHED. RELEASED FOR PUBLICATION  
 © COPYRIGHT BY TYCO ELECTRONICS CORPORATION. ALL RIGHTS RESERVED.

| LOC | DIST | P | LTR | REVISIONS<br>変更 | DATE | DWN | APVD |
|-----|------|---|-----|-----------------|------|-----|------|
| J   | /    |   |     | DESCRIPTION     |      |     |      |
|     |      |   |     | SEE SHEET 1     |      |     |      |

# HARD TRAY LAYOUT



|  |  |                      |  |                    |
|--|--|----------------------|--|--------------------|
| THIS DRAWING IS A CONTROLLED DOCUMENT.         |  | DWN                  | Tyco Electronics AMP K.K.<br>Kawasaki, Japan |                    |
| DIMENSIONS:<br>単位: 耗<br>mm                     |  | CHK                  |  |                    |
| TOLERANCES UNLESS OTHERWISE SPECIFIED:<br>一般公差 |  | APVD                 | NAME<br>名称                                   |                    |
|  |  | PRODUCT SPEC<br>製品規格 | SOCKET F (1207)<br>0 DEGREE RIGHT LEVER TYPE |                    |
| MATERIAL<br>材料                                 |  | FINISH<br>仕上         | APPLICATION SPEC<br>取付適用規格                   | RESTRICTED TO      |
|  |  | WEIGHT               | SIZE<br>A3                                   | CAGE CODE<br>00779 |
|  |  |                      | DRAWING NO<br>番号<br>C-1871554                |                    |
|  |  |                      | SCALE<br>尺度                                  | SHEET<br>4 OF 4    |
|  |  |                      |  | REV<br>B           |